

## mod. GSD8-RFM

Getto singolo  
quadrante asciutto  
Single jet-super dry



HYDROLINK



Disponibile versione  
acqua calda 30-90°C  
Available version  
for hot water 30-90°C

### Mod. GSD8-RFM

Getto singolo, quadrante asciutto, lettura diretta su 8 rulli numeratori. Realizzato nelle versioni per acqua fredda (30°C) e calda (90°C) nei calibri  $\varnothing$  15 e 20 mm (1/2" e 3/4"). Quadrante orientabile a 360°. Esclusi rischi di corrosione e sedimentazione. Garanzia di lunga durata ed elevata precisione. Nuova versione con predisposizione per modulo M-BUS radio e M-BUS a filo. **Contatore omologato a norme MID fino a R160H - R50V.**

### Mod. GSD8-RFM

Einzelwasserstrahl, trocken es Ziffernblatt, Direktablesung auf 8 Zahlrollen. Produziert in den Versionen Kaltwasser (30°C) und Warmwasser (90°C) in den Durchmessern 15 und 20 mm (1/2 Zoll-3/4 Zoll). Um 360 Grad schwenkbares Ziffernblatt. Die Risiken von Rost und Ablagerungen sind ausgeschlossen. Garantiert lange Haltbarkeit und erhöhte Genauigkeit. Neue Version mit Anlage für M-bus Radio Modul oder M-bus via Kabel. **Zugelassener Zähler für MID Standards bis zu R160H - R50V.**

### Mod. GSD8-RFM

Single jet, dry dial, direct reading on 8 numerical rolls. Produced in the versions for cold water (30°C) and hot water (90°C) in the diameters 15 and 20 mm (1/2" - 3/4"). 360° rotating dial. Risks of corrosion and sedimentation are excluded. Long durability and elevated precision guaranteed. New version prearranged for wireless M-BUS or wired M-BUS modules. **Approved according to MID standards up to R160H - R50V.**

### Mod. GSD8-RFM

Jet unique, cadran sec à lecture directe sur 8 rouleaux numériques, disponible en la version pour eau froide (30°C) ou eau chaude (90°C) et en 2 calibres 15 ou 20 mm (1/2" ou 3/4"), cadran orientable à 360°, exclus tous problèmes de corrosion et d'incrustation, fiabilité dans le temps et précision élevée. Nouvelle version préparé pour module M-BUS radio ou M-BUS câblé. **Approuvé selon les normes de MID jusqu'à R160H - R50V.**

### Mod. GSD8-RFM

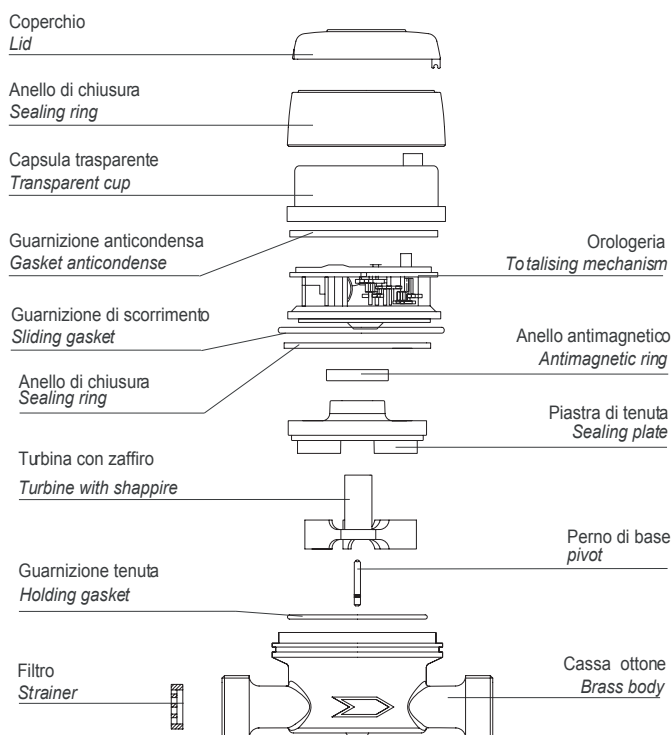
Chorro único, esfera seca, lectura directa sobre 8 rodillos numerados. Construido en las versiones para agua fría (30°C) y caliente (90°C) en los calibres  $\varnothing$  15 y 20 mm (1/2" y 3/4"). Cuadro orientable a 360°. Excluidos los riesgos de corrosión y sedimentación. Garantía de larga duración y elevada precisión. Nueva Versión preparada para modulo M-BUS radio o M-BUS por cable.

**Contador homologado por las normas MID hasta R160H - R50V.**

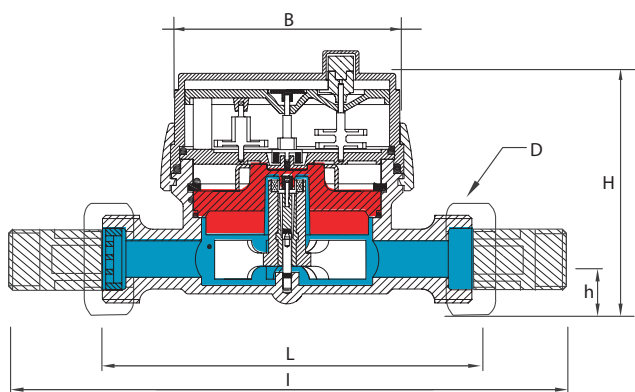
### Mod. GSD8-RFM

Одноструйный счетчик с сухим квадрантом и прямым считыванием с 8 цифровых роликов. Выпускается в версиях для холодной (30°C) и горячей (90°C) воды диаметрами 15 и 20мм (1/2" - 3/4"). Вращающийся на 360° циферблат. Исключены риски коррозии и образования осадка. Гарантия долговечности и высокой точности. Новая модель, предназначенная для установки проводного или радио- модулей системы M-BUS. **Сертифицирован по стандартам MID R160H - R50V.**

Calibro Size	DN	mm in	15 (1/2")	20 (3/4")
Portata di sovraccarico Q <sub>4</sub> Overload flow rate		m <sup>3</sup> /h	3.12	5
	Portata permanente Q <sub>3</sub> Permanent flow rate	m <sup>3</sup> /h	2,5	4
R = 100 H	Portata di transizione Q <sub>2</sub> Transitional flow rate	l/h	40	64
	Portata minima Q <sub>1</sub> Min flow rate	l/h	25	40
R = 160 H	Portata di transizione Q <sub>2</sub> Transitional flow rate	l/h	25	40
	Portata minima Q <sub>1</sub> Min flow rate	l/h	15,6	25
Letture minima Min reading		l	0,05	
Letture massima Max reading		m <sup>3</sup>	99.999	
Pressione max ammissibile Max admissible pressure MAP		bar	16	



Dimensioni e pesi - Dimensions and Weights



Calibro Size	mm in	15 (1/2")	15 (1/2")	15 (1/2")	20 (3/4")	
L	mm	80	110	115	130	
l	mm	160	190	195	228	
H	mm	73	73	73	73	
h	mm	18	18	18	18	
B	mm	85	85	85	85	
D Filettatura Threading	mm	3/4"	3/4"	7/8"-3/4"	1"	
Pesi Weight	con raccordi with unions	kg	0,60	0,65	0,70	0,85
	senza raccordi without unions	kg	0,45	0,50	0,55	0,60

Filettatura - Threading UNI EN 14154-01

Versione base - Basic version

- MID R100-H/R50-V 2004/22/CE
- Corredato da porta ottica e predisposizione per l'installazione dei moduli di comunicazione HYDROLINK modello RFM-MB1 ed RFM-TX1
- Disponibile in versione per acqua fredda 0°C-30°C e per acqua calda 30°C-90°C
- Trasmissione magnetica
- Lettura diretta su 8 rulli numeratori
- Quadrante asciutto orientabile a 360°

- MID R100-H/R50-V 2004/22/CE
- Complete with optical port and prearrangement for the HYDROLINK communication modules model RFM-MB1 and RFM-TX1
- Available for cold water 0°C-30°C and for hot water 30°C-90°C
- Magnetic transmission
- Direct reading on 8 numeric rolls
- Dry dial
- 360° rotating dial

Su richiesta - Upon request

- MID R160-H/R50-V
- Orologeria anti-condensa
- Sistema anti-gelo
- Coperchio
- MID R160-H/R50-V
- Anti-condensation dial
- Anti-frost system
- Lid